

► Stand for PM-32

# STD-06



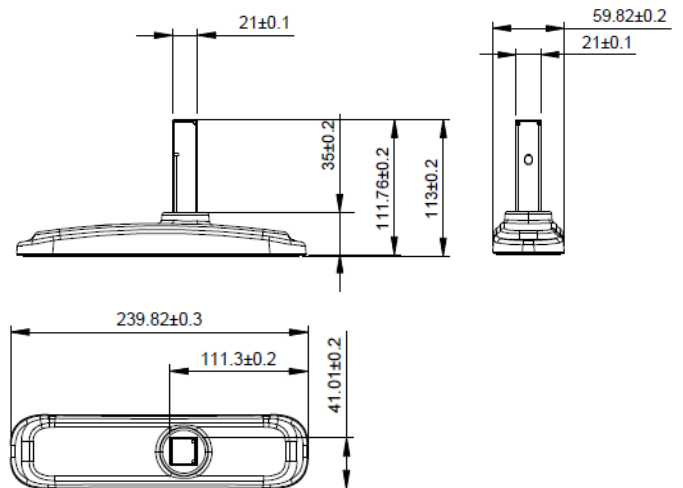
► SPECIFICATION

<b>Dimensions</b>	Net	240 x 113 x 41 mm
	(W x H x D)/ per piece	(9.4" x 4.4" x 1.6")
Packaging		290 x 90 x 93 mm
	(W x H x D)/	(11.4" x 3.5" x 3.7")
	2 pairs in per box	

<b>Weight</b>	Net/ per pair	1.9 kg (4.2 lbs)
	Packaging/ per box	2.3 kg (5.1 lbs)

**Suitable Models** PM-32

All specifications are subject to change without prior notice



► Stand for PM-43, PM-55

# STD-07



► SPECIFICATION

<b>Dimensions</b>	Net	330 x 126 x 75 mm
	(W x H x D)/ per piece	(13.0" x 5.0" x 3.0")
Packaging		398 x 124 x 224 mm
	(W x H x D)/	(15.7" x 8.8" x 4.9")
	2 pairs in per box	

<b>Weight</b>	Net/ per pair	1.5 kg (3.3 lbs)
	Packaging/ per pair	1.7 kg (3.7 lbs)

**Suitable Models** PM-43, PM-55

All specifications are subject to change without prior notice

