

► Stand for PN-46

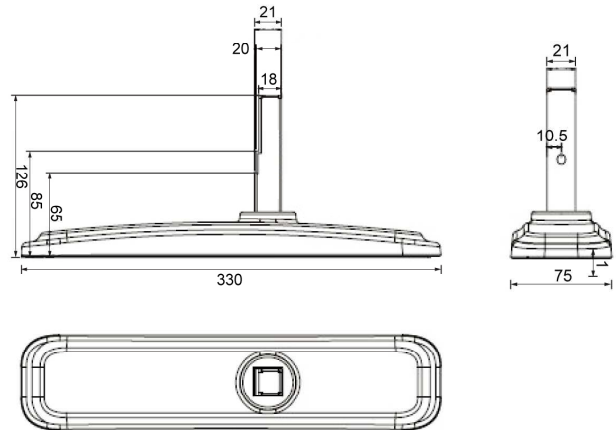
# STD-04



► SPECIFICATION

<b>Dimensions</b>	Net	330 x 126 x 75 mm
	(W x H x D)/ per piece	(13.0" x 5.0" x 3.0")
Packaging		398 x 224 x 124 mm
	(W x H x D)/ per pair	(15.7" x 8.8" x 4.9")
<b>Weight</b>	Net/ per pair	1.7 kg (3.7 lbs)
	Packaging/ per pair	2.1 kg (4.6 lbs)
<b>Suitable Models</b>		PN-46

All specifications are subject to change without prior notice



► Stand for PS-46 & PS-55

# STD-05



► SPECIFICATION

<b>Dimensions</b>	Net	400 x 127 x 65 mm
	(W x H x D)/ per piece	(12.5" x 3.0" x 2.6")
Packaging		446 x 221 x 177 mm
	(W x H x D)/ per pair	(17.6" x 8.7" x 7.0")
<b>Weight</b>	Net/ per pair	2.2 kg (4.8 lbs)
	Packaging/ per pair	2.7 kg (5.9 lbs)
<b>Suitable Models</b>		PS-46 & PS-55

All specifications are subject to change without prior notice

